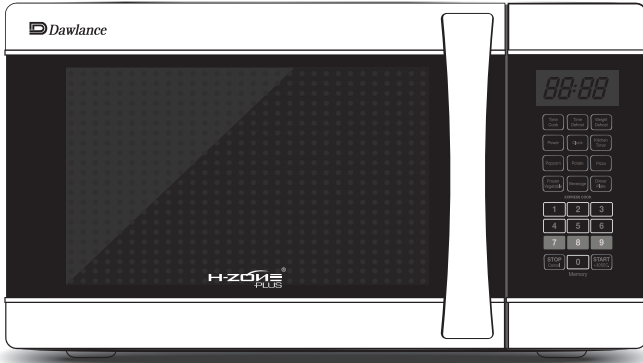


## MICROWAVE OVEN

This owner's guide book is for the following 1200 watts microwave oven model:

# DW-162 HZP



- 
1. Read these instructions carefully before installing and operating the oven. Keep them for further reference.
  2. Record in the space below the SERIAL NO. found on the nameplate on your oven and retain this information for future reference.

SERIAL NO.:

ڈاؤلینس ریلائبل ہے!



# CONTENTS

PRECAUTIONS TO AVOID POSSIBLE EXPOSURE TO EXCESSIVE MICROWAVE ENERGY.....	2
SPECIFICATION.....	2
IMPORTANT SAFETY INSTRUCTION.....	3
GROUNDING INSTALLATION.....	5
MATERIALS YOU CAN USE IN MICROWAVE OVEN.....	7
MATERIALS TO BE AVOIDED IN MICROWAVE OVEN.....	8
SETTING UP YOUR OVEN.....	8
TURNTABLE INSTALLATION.....	9
INSTALLATION.....	10
OPERATION.....	11
TROUBLESHOOTING.....	16

## PRECAUTIONS TO AVOID POSSIBLE EXPOSURE TO EXCESSIVE MICROWAVE ENERGY

- (a) Do not attempt to operate this oven with the door open since this can result in harmful exposure to microwave energy. It is important not to break or tamper with the safety interlocks.
- (b) Do not place any object between the oven front face and the door or allow soil or cleaner residue to accumulate on sealing surfaces.
- (c) **WARNING:** If the door or door seals are damaged, the oven must not be operated until it has been repaired by a competent person.

## ADDENDUM

If the apparatus is not maintained in a good state of cleanliness, its surface could be degraded and affect the lifespan of the apparatus and lead to a dangerous situation.

## SPECIFICATIONS

Model:	DW-162 HZP
Rated Voltage:	230V~ 50Hz
Rated Input Power (Microwave):	1800W
Rated Output Power (Microwave):	1200W
Oven Capacity:	62L
Turntable Diameter:	Ø420mm
External Dimensions (WxDxH):	621mm x 499mm x 346mm
Net Weight:	Approx 19.4kg

# IMPORTANT SAFETY INSTRUCTIONS

## WARNING

To reduce the risk of fire, electric shock, injury to persons or exposure to excessive microwave oven energy when using your appliance, follow basic precautions, including the following:

1. **Warning:** Liquids and other foods must not be heated in sealed containers since they are liable to explode.
2. **Warning:** It is hazardous for anyone other than a competent person to carry out any service or repair operation that involves the removal of a cover which gives protection against exposure to microwave energy.
3. **Warning:** Only allow children to use the oven without supervision when adequate instructions have been given so that the child is able to use the oven in a safe way and understand the hazards of improper use.
4. **Warning:** When the appliance is operated in the combination mode, children should only use the oven under adult supervision due to the temperatures generated. (only for grill series)
5. Only use utensils suitable for use in microwave ovens.
6. The oven should be cleaned regularly and any food deposits should be removed.
7. Read and follow the specific: "PRECAUTIONS TO AVOID POSSIBLE EXPOSURE TO EXCESSIVE MICROWAVE ENERGY".
8. When heating food in plastic or paper containers, keep an eye on the oven due to the possibility of ignition.
9. If smoke is observed, switch off or unplug the appliance and keep the door closed in order to stifle any flames.
10. Do not overcook food.
11. Do not use the oven cavity for storage purposes. Do not store items, such as bread, cookies, etc. inside the oven.
12. Remove wire twist-ties and metal handles from paper or plastic containers/bags before placing them in the oven.
13. Install or locate this oven only in accordance with the installation instructions provided.
14. Eggs in the shell and whole hard-boiled eggs should not be heated in microwave ovens since they may explode, even after microwave heating has ended.
15. Use this appliance only for its intended uses as described in manual. Do not use corrosive chemicals or vapors in this appliance. This oven is especially designed to heat. It is not designed for industrial or laboratory use.

16. If the supply cord is damaged, it must be replaced by the manufacturer, its service agent or similarly qualified persons in order to avoid a hazard.
17. Do not store or use this appliance outdoors.
18. Do not use this oven near water, in a wet basement or near a swimming pool.
19. The temperature of accessible surfaces may be high when the appliance is operating. The surfaces are liable to get hot during use. Keep cord away from heated surface, and do not cover any vents on the oven.
20. Do not let the cord hang over the edge of a table or counter.
21. Failure to maintain the oven in a clean condition could lead to deterioration of the surface that could adversely affect the life of the appliance and possibly result in a hazardous situation.
22. The contents of feeding bottles and baby food jars should be stirred or shaken and the temperature checked before consumption, in order to avoid burns.
23. Microwave heating of beverages can result in delayed eruptive boiling, therefore care must be taken when handling the container.
24. The appliance is not intended for use by persons (including children) with reduced physical , sensory or mental capabilities, or lack of experience and knowledge, unless they have been given supervision or instruction concerning use of the appliance by a person responsible for their safety.
25. Children should be supervised to ensure that they do not play with the appliance.
26. The microwave oven shall not be placed in a cabinet unless it has been tested in a cabinet.
27. The appliances are not intended to be operated by means of an external timer or separate remote-control system.
28. The door or the outer surface may get hot when the appliance is operating.
29. The rear surface of appliance shall be placed against a wall.

# TO REDUCE THE RISK OF INJURY TO PERSONS GROUNDING INSTALLATION

## DANGER

Electric Shock Hazard Touching some of the internal components can cause serious personal injury or death. Do not disassemble this appliance.

## WARNING

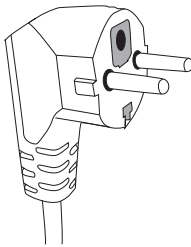
Electric Shock Hazard Improper use of the grounding can result in electric shock. Do not plug into an outlet until appliance is properly installed and grounded.

## CLEANING

Be sure to unplug the appliance from the power supply.

1. Clean the inside of the oven after using with a slightly damp cloth.
2. Clean the accessories in the usual way in soapy water.
3. The door frame and seal and neighboring parts must be cleaned carefully with a damp cloth when they are dirty.

Two-round-pin plug



This appliance must be grounded. In the event of an electrical short circuit, grounding reduces the risk of electric shock by providing an escape wire for the electric current. This appliance is equipped with a cord having a grounding wire with a grounding plug. The plug must be plugged into an outlet that is properly installed and grounded.

Consult a qualified electrician or serviceman if the grounding instructions are not completely understood or if doubt exists as to whether the appliance is properly grounded. If it is necessary to use an extension cord, use only a 3-wire extension cord.

1. A short power-supply cord is provided to reduce the risks resulting from becoming entangled in or tripping over a longer cord.
2. If a long cord set or extension cord is used:
  - 1) The marked electrical rating of the cord set or extension cord should be at least as great as the electrical rating of the appliance.
  - 2) The extension cord must be a grounding type 3-wire cord.
  - 3) The long cord should be arranged so that it will not drape over the counter top or tabletop where it can be pulled on by children or tripped over unintentionally.

## **CAUTION**

### **PERSONAL INJURY HAZARD**

It is hazardous for anyone other than a competent person to carry out any service or repair operation that involves the removal of a cover which gives protection against exposure to microwave energy.

## **UTENSILS**

See the instructions on "Materials you can use in microwave oven or to be avoided in microwave oven."

There may be certain non-metallic utensils that are not safe to use for microwaving. If in doubt, you can test the utensil in question following the procedure below.

### **UTENSIL TEST:**

1. Fill a microwave-safe container with 1 cup of cold water (250ml) along with the utensil in question.
2. Cook on maximum power for 1 minute.
3. Carefully feel the utensil. If the empty utensil is warm, do not use it for microwave cooking.
4. **Do not exceed 1 minute cooking time.**



# MATERIALS YOU CAN USE IN MICROWAVE OVEN

UTENSILS	REMARKS
<b>Aluminium foil</b>	Shielding only. Small smooth pieces can be used to cover thin parts of meat or poultry to prevent overcooking. <b>Arcing can occur if foil is too close to oven walls.</b> The foil should be at least 2.5cm away from oven walls.
<b>Browning dish</b>	Follow manufacturer's instructions. The bottom of browning dish must be at least 3/16 inch (5mm) above the turntable. Incorrect usage may cause the turntable to break.
<b>Dinnerware</b>	Microwave-safe only. Follow manufacturer's instructions. Do not use cracked or chipped dishes.
<b>Glass jars</b>	Always remove lid. Use only to heat food until just warm. Most glass jars are not heat resistant and may break.
<b>Glassware</b>	Heat-resistant oven glassware only. Make sure there is no metallic trim. Do not use cracked or chipped dishes.
<b>Oven cooking bags</b>	Follow manufacturer's instructions. Do not close with metal tie. Make slits to allow steam to escape.
<b>Paper plates and cups</b>	Use for short-term cooking/warming only. Do not leave oven unattended while cooking.
<b>Paper towels</b>	Use to cover food for reheating and absorbing fat. Use with supervision for a short-term cooking only.
<b>Parchment paper</b>	Use as a cover to prevent splattering or a wrap for steaming.
<b>Plastic</b>	Microwave-safe only. Follow the manufacturer's instructions. Should be labeled "Microwave Safe". Some plastic containers soften, as the food inside gets hot. "Boiling bags" and tightly closed plastic bags should be slit, pierced or vented as directed by package.
<b>Plastic wrap</b>	Microwave-safe only. Use to cover food during cooking to retain moisture. Do not allow plastic wrap to touch food.
<b>Thermometers</b>	Microwave-safe only (meat and candy thermometers).
<b>Wax paper</b>	Use as a cover to prevent splattering and retain moisture.

## MATERIALS TO BE AVOIDED IN MICROWAVE OVEN

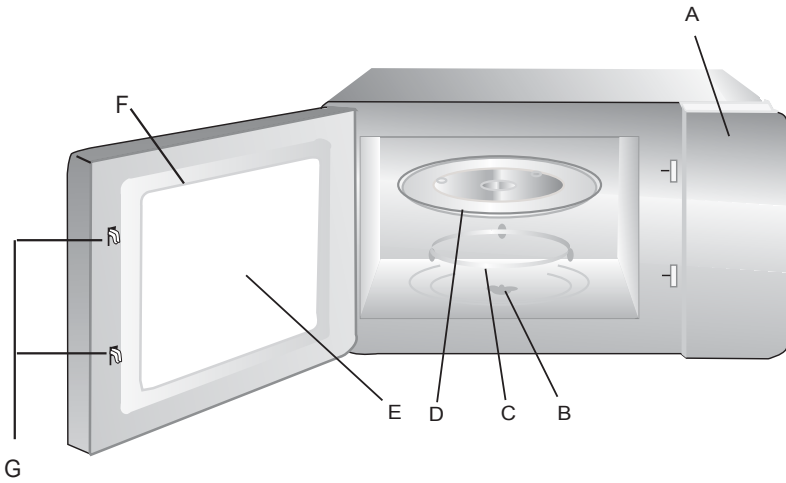
UTENSILS	REMARKS
<b>Aluminium tray</b>	May cause arcing. Transfer food into microwave-safe dish.
<b>Food carton with metal handle</b>	May cause arcing. Transfer food into microwave-safe dish.
<b>Metal or metal-trimmed utensils</b>	Metal shields the food from microwave energy. Metal trim may cause arcing.
<b>Metal twist ties</b>	May cause arcing and could cause a fire in the oven.
<b>Paper bags</b>	May cause a fire in the oven.
<b>Plastic foam</b>	Plastic foam may melt or contaminate the liquid inside when exposed to high temperature.
<b>Wood</b>	Wood will dry out when used in the microwave oven and may split or crack.

## SETTING UP YOUR OVEN NAMES OF OVEN PARTS AND ACCESSORIES

Remove the oven and all materials from the carton and oven cavity.

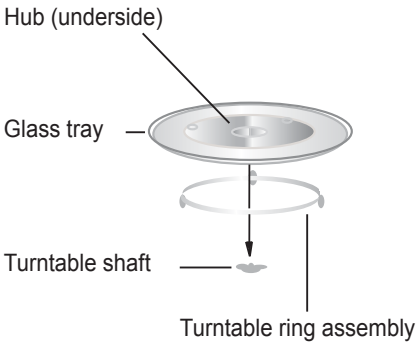
Your oven comes with the following accessories:

Glass tray.....	01
Turntable ring assembly.....	01
Turntable shaft.....	01
Instruction Manual.....	01



- |                            |                            |
|----------------------------|----------------------------|
| A) Control panel           | E) Observation window      |
| B) Turntable shaft         | F) Door assembly           |
| C) Turntable ring assembly | G) Safety interlock system |
| D) Glass tray              |                            |

## TURNTABLE INSTALLATION



- a. Never place the glass tray upside down. The glass tray should never be restricted.
- b. Both glass tray and turntable ring assembly must always be used during cooking.
- c. All food and containers of food are always placed on the glass tray for cooking.
- d. If glass tray or turntable ring assembly cracks or breaks, contact your nearest authorized service center.

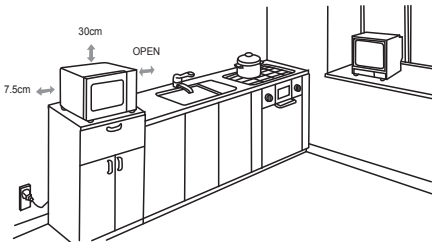
# COUNTERTOP INSTALLATION

Remove all packing material and accessories. Examine the oven for any damage such as dents or broken door. Do not install if oven is damaged.

**Cabinet:** Remove any protective film found on the microwave oven cabinet surface. **Do not remove the light brown Mica cover that is attached to the oven cavity to protect the magnetron.**

## INSTALLATION

1. Select a level surface that provides enough open space for the intake and/or outlet vents.



- (c) Blocking the intake and/or outlet openings can damage the oven.
  - (d) Place the oven as far away from radios and TV as possible. Operation of microwave oven may cause interference to your radio or TV reception.
2. Plug your oven into a standard household outlet. Be sure the voltage and the frequency is the same as the voltage and the frequency on the rating label.

The rear surface of appliance should be placed against a wall.

A minimum clearance of 3.0 inches (7.5 cm) is required between the oven and any adjacent walls. One side must be open.

- (a) Leave a minimum clearance of 12 inches (30 cm) above the oven.
- (b) Do not remove the legs from the bottom of the oven.

**WARNING:** Do not install oven over a range cooktop or other heat-producing appliance. If installed near or over a heat source, the oven could be damaged and the warranty would be void.

**The accessible surface may be hot during operation.**



# OPERATION

## 1. Power Level

11 power levels are available.

Level	10	9	8	7	6	5	4	3	2	1	0
Power	100%	90%	80%	70%	60%	50%	40%	30%	20%	10%	0%
Display	PL10	PL9	PL8	PL7	PL6	PL5	PL4	PL3	PL2	PL1	PL0

## 2. Clock Setting

- (1) Press "**CLOCK**", "00:00" will display.
- (2) Press the number keys and enter the current time. For example, time is 12:10 now, please press "1,2,1,0" in turn.
- (3) Press "**CLOCK**" to finish clock setting. ":" will flash and the clock will be lighted.
- (4) If the numbers input are not within the range of 1:00--12:59, the setting will be invalid until valid numbers are input.



### Note:

- (a) In the process of clock setting, if the "**STOP/CANCEL**" button is pressed or if there is no operation within 1 minute, the oven will go back to the former setting automatically.
- (b) If the clock needs to be reset, please repeat step 1 to step 3.

## 3. Kitchen Timer

- (1) Press "**KITCHEN TIMER**", LED will display 00:00.
- (2) Press the number keys and enter the timer time. (The maximum cooking time is 99 minutes and 99 seconds.)
- (3) Press "**START/+30SEC.**" to confirm setting.
- (4) When the timer time arrives, the buzzer will ring 5 times. If the clock is set (12-hour system), the LED will display the current time.

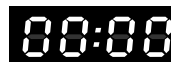


### Note:

- (1) The kitchen time is different from 12-hour system. Kitchen Timer is a timer.
- (2) During kitchen timer, any program cannot be set. Press "**STOP/Cancel**" once to cancel the kitchen timer function.

## 4. Microwave cook

- (1) Press "**TIME COOK**" once, LED will display "00:00".
- (2) Press number keys to input the cooking time; the maximum cooking time is 99 minutes and 99 seconds.
- (3) Press "**POWER**" once, LED will display "PL10". The default power is 100% power. Now you can press number keys to adjust the power level.
- (4) Press "**START/+30SEC.**" to start cooking.



Example: to cook the food with 50% microwave power for 15 minutes.

- a. Press **"TIME COOK"** once. "00:00" displays.
- b. Press "1", "5", "0", "0" in order.
- c. Press **"POWER"** once, then press "5" to select 50% microwave power.
- d. Press **"START/+30SEC."** to start cooking.



**Note:**

- 1) In the process of setting, if the **"STOP/CANCEL"** button is pressed or if there is no operation within 1 minute, the oven will go back to the former setting automatically.
- 2) If "PL0" selected, the oven will work with fan for no power.
- 3) During microwave cooking, **"POWER"** can be pressed to change the power you need.

After pressing **"POWER"**, the current power flash for 3 seconds, now you can press number button to change the power. The oven will work with the selected power for the rest time.

**5. Speedy Cooking**

- (1) In waiting state, instant cooking at 100% power level can be started by select a cooking time from 1 to 6 minutes by pressing number pads 1 to 6. Press **"START/+30SEC."** to increase the cooking time; the maximum cooking time is 99 minutes and 99 seconds.
- (2) In waiting state, instant cooking at 100% power level with 30 seconds' cooking time can be started by pressing **"START/+30SEC."** Each press on the same button will increase cooking time by 30 seconds. the maximum cooking time is 99 minutes and 99 seconds.

**Note:**

during microwave cooking and time defrost, time can be added by pressing **"START/30SEC."** button.

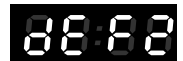
**6. Weight Defrost Function**

- (1) Press **"WEIGHT DEFROST"**, LED will display "dEF1".
- (2) Press numerical buttons to input weight to be defrosted. Input the weight ranged between 100~2000 g.
- (3) If the weight input is not within 100~2000 g, the input will be invalid.
- (4) Press **"START/+30SEC."** to start defrosting and the cooking time remained will be displayed.



**7. Time Defrost Function**

- (1) Press **"TIME DEFROST"**, LED will display "dEF2".
- (2) Press number pads to input defrosting time. The effective time range is 00:01~99:99.
- (3) The default microwave power is power level 3.
- (4) Press **"START/+30SEC."** to start defrosting. The remained cooking time will be displayed.



**Note:** The default power level is PL 3, and it cannot be chaged.

## 8. POPCORN

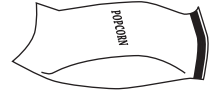
- a) Press "**POPCORN**" repeatedly until the number you wish appears in the display, "50", "100" g will display in order.

For example, press "**POPCORN**" once , "50" appears.

- b) Press "**START/+30 SEC.**" to cook, buzzer sounds once. When cooking finishes, buzzer sounds five times and then turn back to waiting state.

### Important Information About Microwave Popcorn Feature:

1. When selecting 100 g of popcorn, it is suggested that you fold down a triangle on each corner of the bag before cooking. Refer to the picture at right.
2. If/When the popcorn bag expands and no longer rotates properly, please press **STOP/CANCEL** button once and open the oven door and adjust the bag position to ensure even cooking.



## 9. POTATO

- a) Press "**POTATO**" repeatedly until the number you wish appears in the display, "1", "2", "3" will display in order.

"1"SET : 1 potato (approximate 230 gram)

"2"SETS: 2 potatoes (approximate 460 gram)

"3"SETS: 3 potatoes (approximate 690 gram)

For example, press "POTATO" once , "1" appears.

- b) Press "**START/+30 SEC.**" to cook, buzzer sounds once. When cooking finishes, buzzer sounds five times and then turn back to waiting state.

## 10. FROZEN VEGETABLE

- a) Press "**FROZEN VEGETABLE**" repeatedly until the number you wish appears in the display, "150", "350", "500" g will display in order.

For example, press "**FROZEN VEGETABLE**" once , "150" appears.

- b) Press "**START/+30 SEC.**" to cook, buzzer sounds once. When cooking finishes, buzzer sounds five times and then turn back to waiting state.

## 11. BEVERAGE

- a) Press "**BEVERAGE**" repeatedly until the number you wish appears in the display, "1", "2", "3" cup will display in order. One cup is about 120ml. For example, press "**BEVERAGE**" once , "1" appears.

- b) Press "**START/+30 SEC.**" to cook, buzzer sounds once. When cooking finishes, buzzer sounds five times and then turn back to waiting state.

## 12. DINNER PLATE

- a) Press "**DINNER PLATE**" repeatedly until the number you wish appears in the display, "250", "350", "500" g will display in order.

For example, press "**DINNER PLATE**" once , "250" appears.

- b) Press "**START/+30 SEC.**" to cook, buzzer sounds once. When cooking finishes, buzzer sounds five times and then turn back to waiting state.

## 13. PIZZA

- a) Press "**PIZZA**" repeatedly until the number you wish appears in the display, "100", "200", "400" g will display in order.

For example, press "**PIZZA**" once , "100" appears.

- b) Press "**START/+30 SEC.**" to cook, buzzer sounds once. When cooking finishes, buzzer sounds five times and then turn back to waiting state.

## 14. MEMORY FUNCTION

- (1) Press "**0/MEMORY**" to choose memory 1-3 procedure. The LED will display 1, 2, 3.
- (2) If the procedure has been set, press "**START/+30 SEC.**" to use it. If not, continue to set the procedure. Only one or two stages can be set.
- (3) After finishing the setting, press "**START/+30 SEC.**" once to save the procedure. If press "**START/+30 SEC.**" again, it will start cooking.  
Example: to set the following procedure as the second memory, that is memory 2. to cook the food with 80% microwave power for 3minutes and 20 seconds.

The steps are as follow:

- a. In waiting states, press "**0/MEMORY**" twice, stop pressing until the screen displays "2".
- b. Press "**TIME COOK**" once, then press "3", "2", "0" in order.
- c. Press "**POWER**" once, "PL10" displays, then press "8" and "PL8" displays.
- d. Press "**START/+30 SEC.**" to save the setting. Buzzer sounds once and "2" displays. If you press "**START/+30SEC.**" again, the procedure will be saved as memory 2 and operated.
- e. If the electricity is not cut off, the procedure will be saved all the time. If it is, the procedure needs to reset.
- f. If you want to run the saved procedure, in waiting state, press "**0/MEMORY**" twice, screen displays "2", then press "**START/+30SEC.**" to run.

## 15. Multi-stage cooking

At most 2 stages can be set for cooking. In multi-stage cooking, if one stage is defrosting, then defrosting shall be placed at the first stage automatically.

### Note:

Auto cooking cannot work in the multi-stage cooking.

### Example:

if you want to cook with 80% microwave power for 5 minutes +60% microwave power for 10 minutes. The cooking steps are as following:




- (1) Press **"TIME COOK"** once, then press "5", "0", "0" to set the cooking time;
- (2) Press **"POWER"** once, then press "8" to select 80% microwave power.
- (3) Press **"TIME COOK"** once, then press "1", "0", "0", "0" to set the cooking time;
- (4) Press **"POWER"** once, then press "6" to select 60% microwave power.
- (5) Press **"START/+30 SEC."** to start cooking.

## 16. INQUIRING FUNCTION

- (1) In cooking state, press **"CLOCK"**, the LED will display clock for three seconds.
- (2) In the microwave cooking state, press **"POWER"** to inquire microwave power level, and the current microwave power will be displayed. After three seconds, the oven will turn back to the previous state. In multi-stage state, the inquiring way can be done by the same way as above.

## 17. LOCK FUNCTION FOR CHILDREN

Lock: In waiting state, press **"STOP/CANCEL"** for 3 seconds, there will be a long "beep" denoting the entering into the children-lock state; meanwhile,

LED will display "". Lock quitting: In locked state, press **"STOP/CANCEL"** for 3 seconds, there will be a long "beep" denoting that lock is released.

## 18. COOKING END REMINDING FUNCTION

When the cooking is over, the buzzer will beep 5 times to alert users that the cooking is finished.

## 19. OTHER SPECIFICATIONS

- (1) In standby state, if the set clock digital tube displays current time, the icon ":" would flash; otherwise, it shows "0:00".
- (2) In setting function state, LED displays corresponding setting.
- (3) In working or pause state, LED displays surplus cooking time.

# TROUBLESHOOTING

Normal	
Microwave oven interfering TV reception	Radio and TV reception may be interfered when microwave oven is operating. It is similar to the interference of small electrical appliances, like mixer, vaccum cleaner, and electric fan. It is normal.
Dim Oven light	In low power microwave cooking, oven light may become dim. It is normal.
Steam accumulating on door, hot air out of vents	In cooking, steam may come out of food. Most will get out from vents. But some may accumulate on cool place like an oven door. It is normal.
Oven started accidently with no food in	It is forbidden to run the unit without any food inside. It is very dangerous.

Trouble	Possible Cause	Remedy
Oven can not be started	(1) Power cord not plugged in tightly.	Unplug, then plug again after 10 seconds.
	(2) Fuse blowing or circuit breaker works.	Replace fuse or reset circuit breaker (repaired by professional personnel of our company).
	(3) Trouble with outlet.	Test outlet with other electrical appliances.
Oven does not heat	(4) Door not closed well.	Close door well.
Glass turntable makes noise when microwave oven operates	(5) Dirty roller rest and oven bottom.	Refer to "Maintenance of Microwave" to clean dirty parts.



**According to Waste of Electrical and Electronic Equipment (WEEE) directive, WEEE should be separately collected and treated. If at any time in future you need to dispose off this product please do NOT dispose off this product with household waste. Please send this product to WEEE collecting points where available.**

# DAWLANCE CUSTOMER SERVICE CENTERS NETWORK

**Head Office:** Dawlance Center 7/4, Civil Lines-9, Dr. Zia uddin Ahmed Road, Karachi.  
**Ph:** (021) 35652450-9 **Fax:** (021) 35674643 **Email:** service@dawlance.com.pk

For All Complaints, Please dial  
**03-111-11-7359(RELY) / 021-111-11-7359(RELY)**

**KARACHI (ZONAL OFFICE)**

Plot # Sc-7, Scheme # 7, Chandni  
Chowk, Off University Road.  
Ph:(021) 34923708-9

**KARACHI**

Plot # C-28C, 24th Commercial Street  
DHA Phase II Ext, DHA.  
Ph:(021) 36066798, 34223739

**KARACHI**

L-2526 Darakshan Society, Malir Kala  
Board Near Malir Town Office,  
Quaidabad.  
Ph:(021) 34518261, 34518269

**HYDERABAD**

Plot # A/ 151-A, Block C, Unit #2,  
Latifabad.  
Ph:(022) 3864640, 3811216

**FAISALABAD (ZONAL OFFICE)**

P-369, Jinnah Colony Behind  
Badar Bakery.  
Ph:(041) 2619774, 2634067

**SAHIWAL**

H #24/W, Scheme#2, Fareed Town.  
Ph:(040) 4551313-3

**SUKKUR**

H No. 1054/1-A, Bandar Road,  
Opp. Jama Masjid Near Edhi Center,  
Ph:(071) 5625842, 5625214

**QUETTA**

Gurdatt Singh Road, House # 53/3,  
Opp. Special Boys High School,  
Ph:(081) 2833406

**SARGODHA**

H No. 43-44, Dar Us Salama Rd,  
Sultan Colony Near Chenone Plaza,  
Sargodha Cant,  
Ph:(048) 3765905-6

**MULTAN**

H.# 12-A, Opposite Mohammad Arcade,  
Near Khana-e-Farhang Iran.  
Ph:(061) 6524355, 4782835

● **LAHORE (ZONAL OFFICE)**

309A, Shadman Colony Shadman.  
Ph:(042) 37533985-8

● **LAHORE**

2 / 1, Ghulam Ahmad Park, Near Saddar  
Round About.  
Ph:(042) 6684769, 8402037

● **JEHLUM (ZONAL OFFICE)**

B-II- IR, Mohammadi Chowk,  
Ph:(054) 4610578, 4623236

● **GUJRANWALA**

Plot # 1, Street 1, Fatima Homes, Bukhari  
Road, New Railway Station.  
Ph:(055) 3856442,3857602

● **RAWALPINDI (ZONAL OFFICE)**

36 - C - 1, Satellite Town.  
Ph:(051) 4841074, 4451101

● **ISLAMABAD**

4- Chenab Market, Street No. 34,  
G-7 / 1, Behind ZTE.  
Ph:(051) 2202977, 2204498

● **PESHAWAR**

House No: 06, Shadab Street, Near Gul  
Haji Plaza, University  
Road, Peshawar.  
Ph:(091) 5841281,5842540

● **SIALKOT**

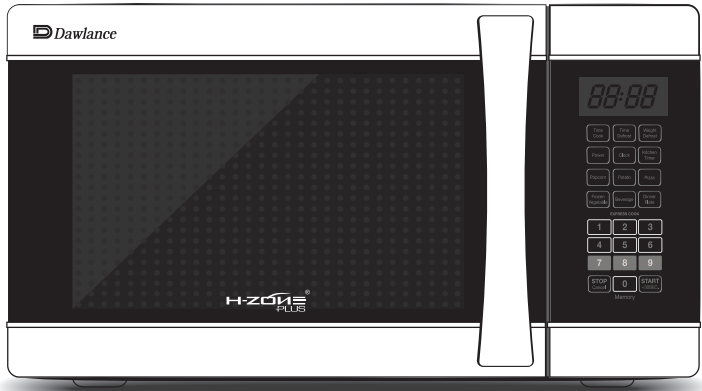
Gulshan St # 1, Nishat Park, Paris Road,  
Opp. Chamber of Commerce Building  
Ph:(052) 4290502-3

● **HASSANABDAL**

CB - 284 / 1, Near Barrier # 3, Mall Road,  
Lalazar Colony, Wah Cantt.  
Ph:(051) 4510895, 4530206

## Zonal Offices:

Zonal Manager Customer Service Karachi	(021)-34141501
Zonal Manager Customer Service Faisalabad	(041)-2638129
Zonal Manager Customer Service Lahore	(042)-35960272
Zonal Manager Customer Service Jhelum	(054)-4271406
Zonal Manager Customer Service Rawalpindi	(051)-4846409
Central Store	(021)-34141444





 *Dawlance*  
ڈاؤلینس ریلائنبل ہے!